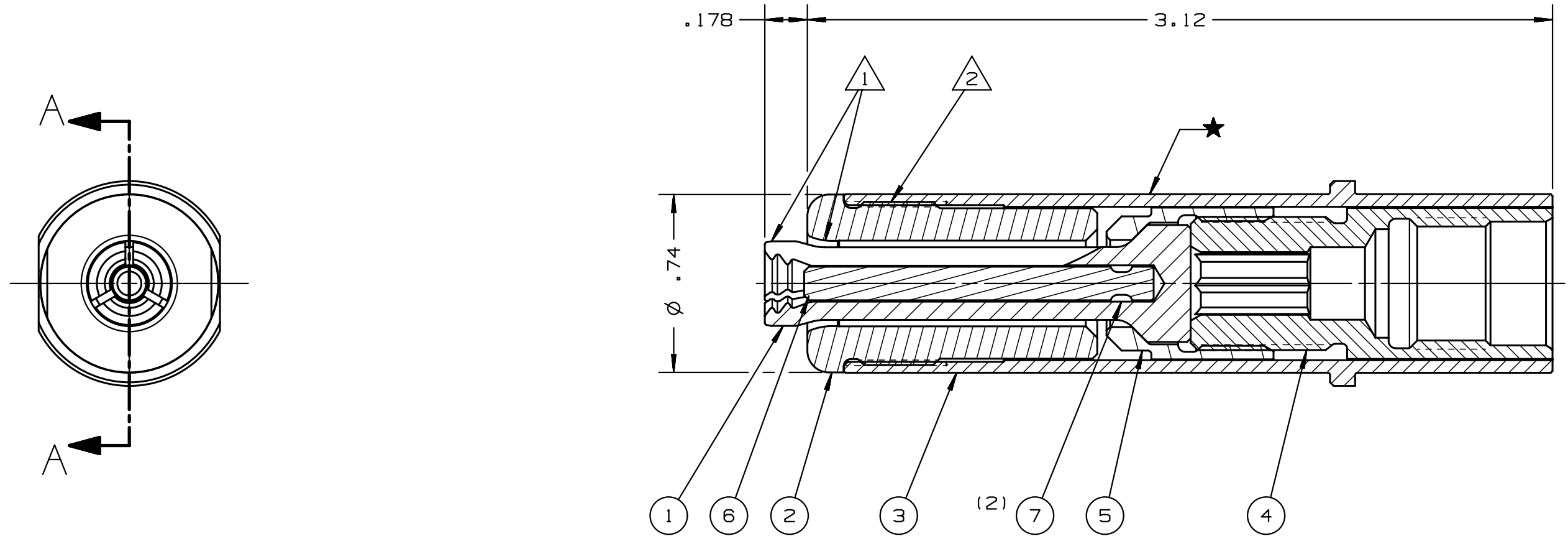


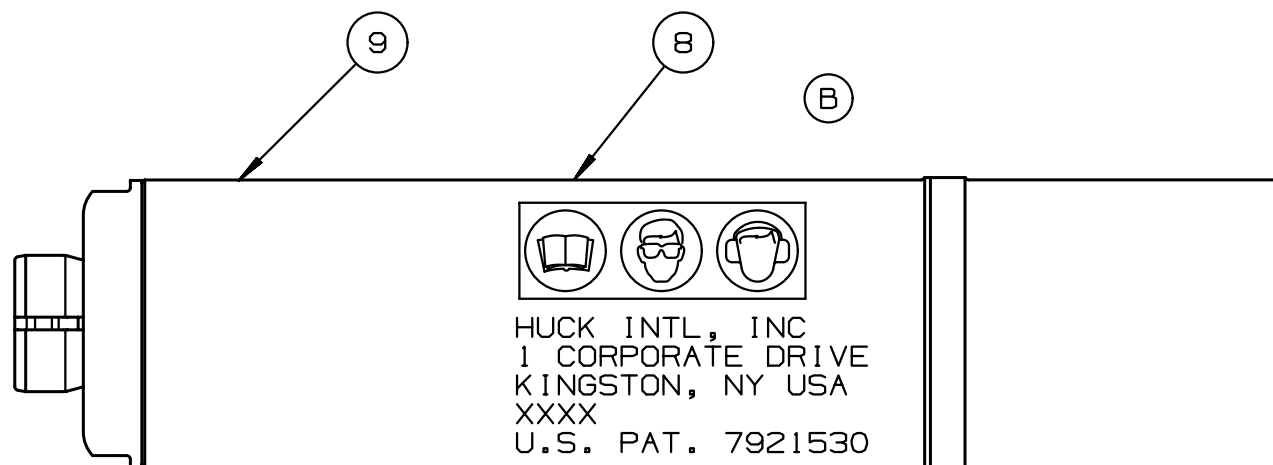
REV	DESCRIPTION	DET	DATE
A	RELEASE	TRK	09/27/13
B	DELETED ETCHING NOTES, UPDATED ETCHING TO DELETE CE MARK, UPDATED DRAWING BORDER	SMA	01/05/16

NOTES:

- ① APPLY ANTI-SEIZE LUBRICANT P/N: 508183 OR EQUIVALENT TO OUTSIDE OF PULLER AND INSIDE OF ANVIL.
- ② APPLY LOCTITE 242 P/N: 505316 TO THESE THREADED JOINTS PER MFR'S INSTRUCTIONS DURING ASSEMBLY ON TOOL.



SECTION A-A



590513	1	PINCH POINT STICKER	9
590273	1	STICKER, WARNING, MOVING PARTS	8
508529	2	O-RING .094 ID X .032 CS	7
130320	1	LIMIT ROD, PULLER, -08 BT	6
130319	1	PULLER CAP, -08 BT	5
124360	1	EXTENSION, SPINDLE	4
129113	1	HOLDER, ANVIL, 244BT	3
129112	1	ANVIL, 244BT, -08 BT	2
130318	1	PULLER, 244BT, .08 BT	1
PART NO.	QTY	DESCRIPTION	ITEM

IDENTIFICATION PER SPEC 42-311: ★ PERMANENT		HUCK INTERNATIONAL, INC., I.S.D 1 CORPORATE DR KINGSTON, NEW YORK 12401	
ITAR/ECCN: EAR99		NOSE, -08 BT 244BT TOOL	
SCH B#: 8467.99.0190		FINAL ASSY: -	
ENG: CHR	CK:	DATE: 09/27/13	SCALE: 2:1
HTS: 8467.99.0190		B	99-7932